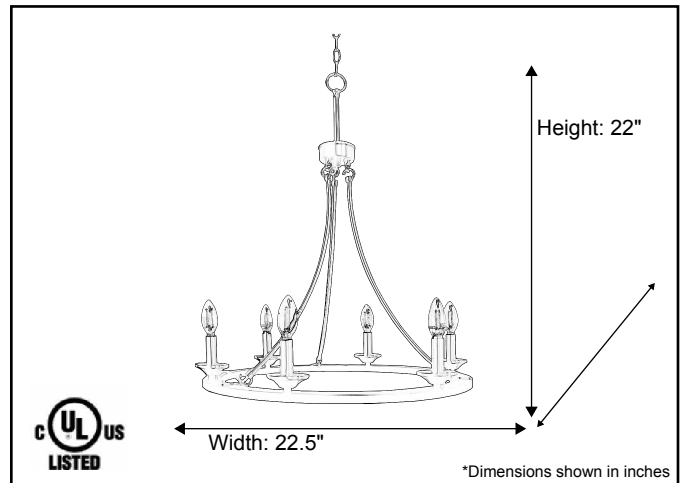


Model #	CHD-R6-MB/NK(E12/27K)
SKU	20517
Fixture Series	Chandelier
Description	6-Light Ring Chandelier
Metal Finish	Matte Black/Brushed Nickel
Glass Finish	Clear
Dimensions- HxW (Dimensions shown in inches)	22" x 22.5"
Lamp Info	6X60W (M)

Finish Shown: Matte Black / Brushed Nickel



*Lamps Not Included



ELECTRICAL REQUIREMENTS: Fixture requires a grounded electrical supply line of 120 volts AC.

INSTALLATION REQUIREMENTS: Fixture attaches to electrical junction box securely anchored in wall or ceiling.
All mounting hardware included.

HOMEnhancements / 1505-A Kelly Blvd., Carrollton, TX. 75006

Product specifications subject to change without notice.

REFERENCE	QTY.	REMARKS	Project
			Location/Type
			Architect
			Engineer
			Contractor
			Submitted By: Date: