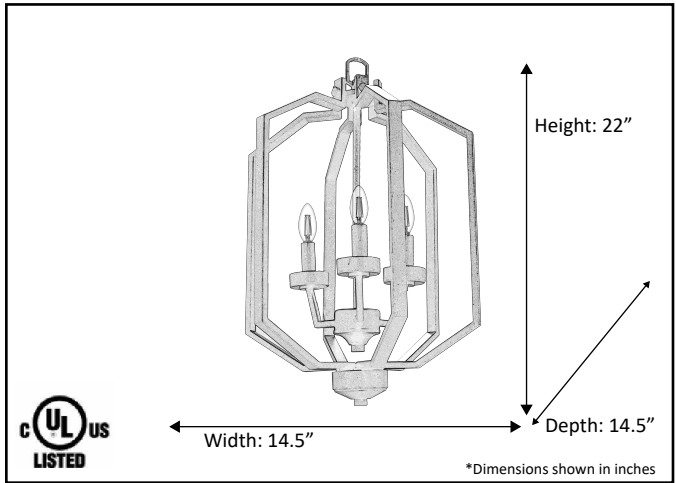




Model #	PRS-HF3-MB
Description	Paris 3 light open cage
Dimensions- HxW(xD)	22"H x 14.5"W x 14.5"D
Family	Paris
Product Finish	Matte Black
Glass Finish	Open Cage
Lamp Type	E12 Candelabra
Lamp Max Wattage	3x60W
Chain/Wire Length	3' / 10'

Finish/Glass Shown: Matte Black



ELECTRICAL REQUIREMENTS: Fixture requires a grounded electrical supply line of 120 volts AC.

INSTALLATION REQUIREMENTS: Fixture attaches to electrical junction box securely anchored in wall or ceiling.
All mounting hardware included.

HOMEnhancements.com / 1505-A Kelly Blvd., Carrollton, TX. 75006

Product specifications subject to change without notice.

REFERENCE	QTY.	REMARKS	Project
			Location/Type
			Architect
			Engineer
			Contractor
			Submitted By: Date: